

AB COCKS MABU

MABU X TGR, PN160, G1/2"



- Product details**
- » Pressure gauge cock
 - » PN160
 - » Cylindrical plug
 - » Stainless steel X
 - » Elastic packing sleeve TGR
 - » With hand lever

*TGR = top-graph 2000

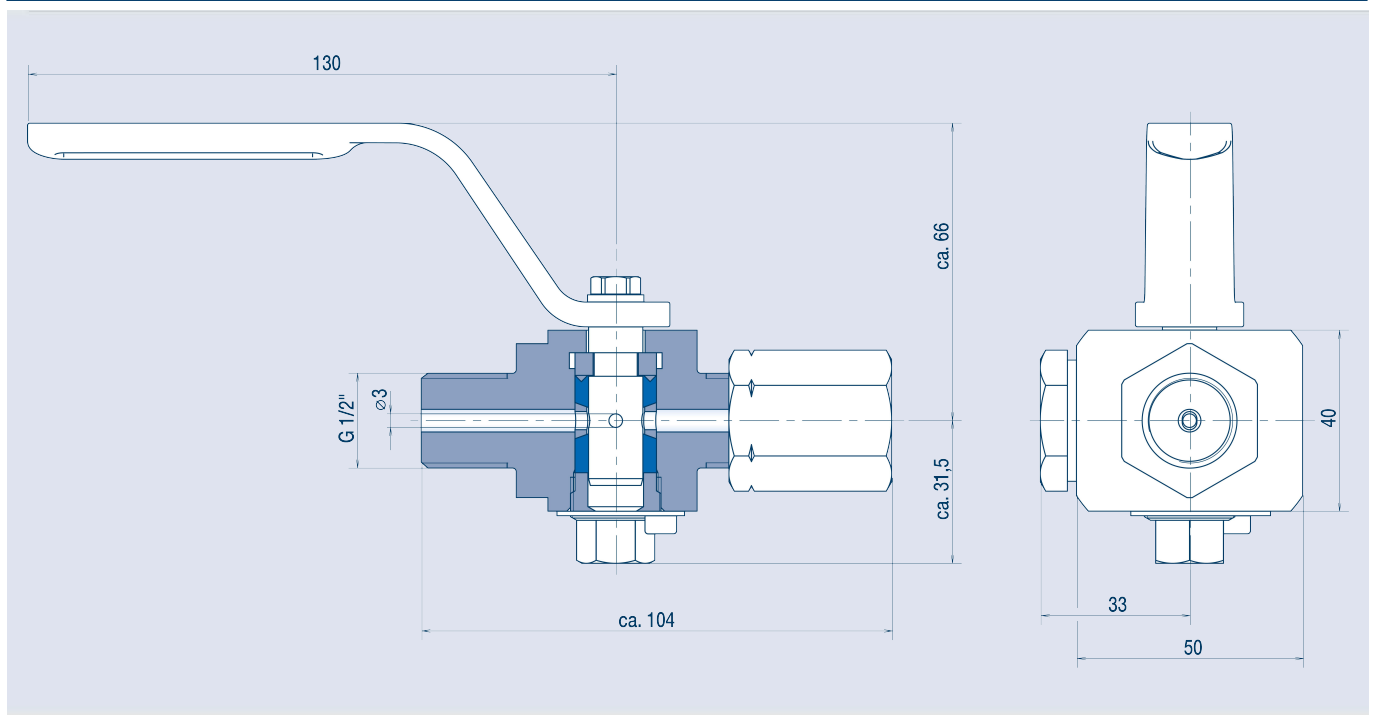
- Connections**
- Left side: G1/2"
 - Right side: clamping sleeve G1/2"
 - Pressure gauge: G1/2"

Certificates VDI 2440

Dimensions Body length 104 mm

- General features**
- » 90°-rotation ensures immediate opening and closing procedure
 - » Hand operation enables throttling, therefore usage in blow-down lines possible
 - » Simple maintenance:
The packing sleeve can be replaced within minutes with the cock staying in the line
 - » No jamming caused by corrosion

Temperature X-TGR -40°C to +250°C, PN160



Application range

District Heating | Processing industry | Automation | Geothermal energy | Shipbuilding industry | Diesel engines | Oil & Gas | Compressed-air supply | Instrumentation & Control | Electric supply | Energy generating companies

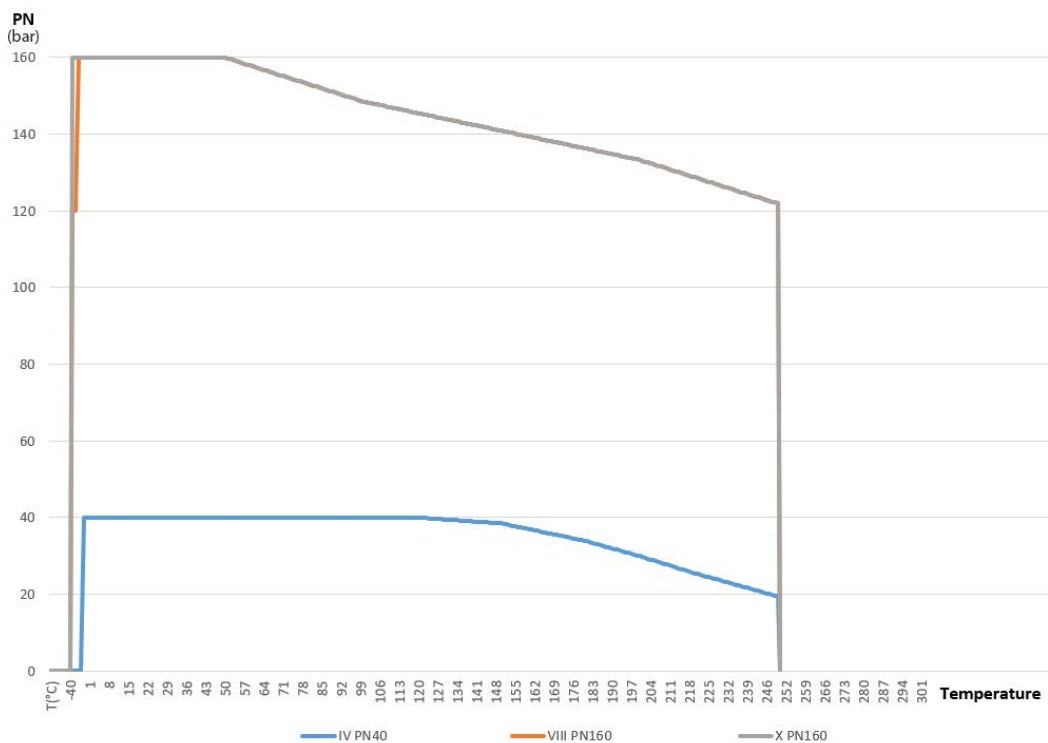
The packing sleeve

Under pressure the lamellas of the elastic packing sleeve are pressed against the body wall and thereby an excellent seal is achieved.
The TGR (=top-graph 2000) is suitable for operating temperatures up to 250°C.



AB COCKS MABU

Pressure and temperature ranges / Parts list



Parts list

Pos.	number	name
1	1	Body
2	1	Packing sleeve
3	1	Cock plug
4	2	Split ring
5	1	Tightening nut
6	1	Locking disc
7	1	Fillister head screw
8	1	Disc
9	1	Hexagon head screw
10	1	Hand lever
11	1	Plug with sealing edge
12	1	Tightening screw

